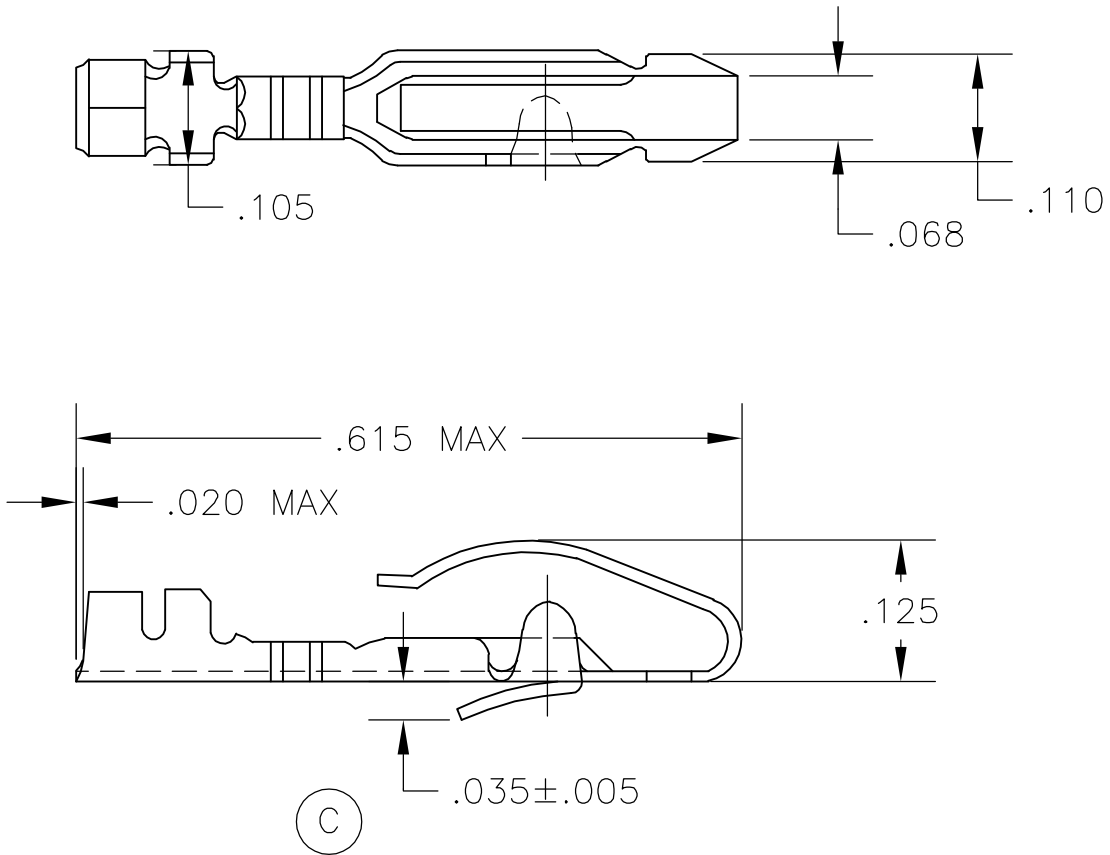


LOC	DIST	REVISIONS					
AD	00	P	LTR	DESCRIPTION	DATE	DWN	APVD
		E		ECO 05 003616	08APR06	BSV	MM



- 66084-1 1. AS SHOWN
- 66084-2 1. SAME AS -1 EXCEPT:  
2. TIN PLATED.
- 66084-3 1. SAME AS -1 EXCEPT:  
2. GOLD PLATED.
- 5-66084-2 1. SAME AS -1 EXCEPT:  
2. MATTE TIN PLATED.

RELEASED FOR PUBLICATION

ALL RIGHTS RESERVED.

BY TYCO ELECTRONICS CORPORATION.

COPYRIGHT

THIS DRAWING IS UNPUBLISHED.

DIMENSIONS: INCHES	DWN	-	MATERIAL	PHOS. BRONZE	FINISH	-
	CHK	-	Tyco Electronics Corporation Harrisburg, Pa 17105-3608			
TOLERANCES UNLESS OTHERWISE SPECIFIED:	APVD	-				
	PRODUCT SPEC	-	AMP LEAF USED FOR DUMMY TERMINAL			
0 PLC ± -	APPLICATION SPEC	-	SIZE	A4	CAGE CODE	00779
1 PLC ± -	WEIGHT	-	DRAWING NO	C-66084		RESTRICTED TO
2 PLC ± -			CUSTOMER DRAWING			SCALE
3 PLC ± .015						5:1
4 PLC ± -						SHEET
ANGLES ± 1'						1 OF 1
						REV
						E

